



2020 MARKETING PROGRAM

Strategic Growth through Smart Strategies

Cannabis Healthcare Technology to track vertically integrated seed-to-sale!



Licenses



Cultivation



Innovation



Science



Manufacturing



Products



Fulfillment



Distribution



Retail



Ecommerce

MCF Services

Affiliate Marketing
Brand Ambassadors
Call Center
Capital Raising
Celebrity Strategy – Tyson Ranch
Customer Lead Acquisition
Distributor License

- Develop New Revenue

Events

- LA Cannabis Co Events
- Speaking Engagements

Medtainer

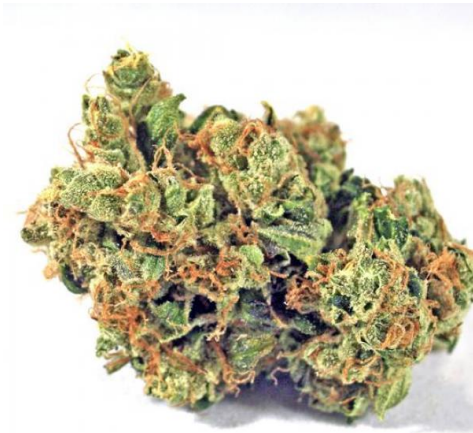
- Retail
- Pre-Packaging - LA Cannabis Co
Flower Brand
- Media

Merchandise Products
Product Development
Sales

- LA Cannabis Co Products
- Distributor License

Social Media

LA Cannabis Company Pre-Packaging



Medtainer Bottl
Print Area
1.7" x .8"



Medtainer Lid
Print Area
1.3" x 1.3"



LA Cannabis Co Printed Merchandise

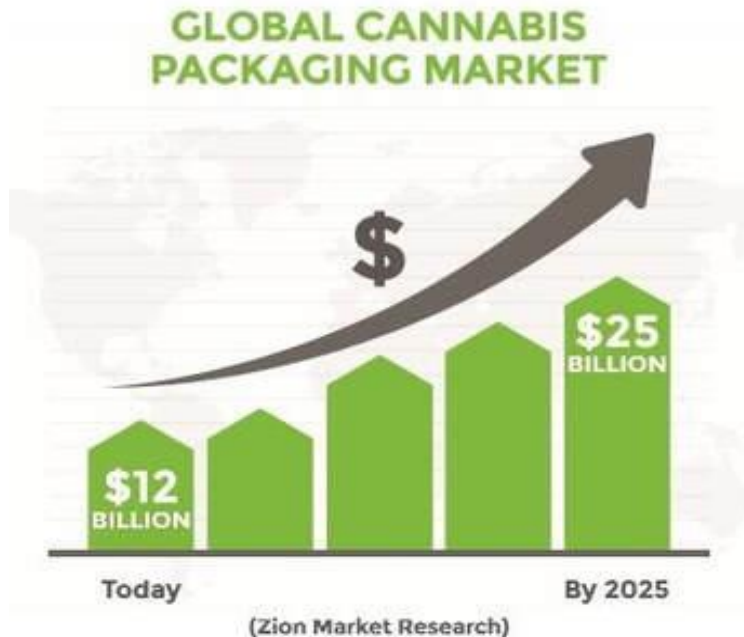


Cannabis Packaging Opportunity

Global Cannabis Packaging Industry Value:

Between \$20.41B and \$40B by 2025 (Zion, ZMR Research, Grand View Research)

There is a significant opportunity to provide packaging solutions for the Cannabis Industry such as consumer cyclical, packaging and containers and sustainable packaging that conforms to market and government regulations. compliant with local laws and regulations.





- MedTainer Inc., a California Corporation, was established in 2011 to develop manufacture and distribute innovative, medical grade plastic packaging and container devices.
- In early 2012 the Company successfully engineered and launched the marketing and sales of “the MedTainer™” a patented, FDA approved medical-grade plastic and environmentally safe solution to break down medication for the needs of Pediatric and Geriatric patients.
- Initial marketing and sales efforts were focused in the medical industry and have expanded to supplying packaging, accessories, and branding solutions for the legal cannabis, convenience stores. e-commerce and other industry channels.



Innovation



Manufacturing



Fulfillment



Distribution

MedTainer™ Features



- Each MedTainer™ is composed of an FDA approved, medical and food-grade #5 polypropylene plastic that is environmentally safe.
- The unique characteristics of medical-grade plastic make it the ideal material for sensitive medical equipment and devices used everyday in hospitals.
- Food-Grade plastic is only approved after rigorous testing to eliminate the possibility of contamination, leaching and possible harmful ingestion
- The MedTainer™ has been tested by the **Child Related Research (CRR)** (Study# C100-946) with a 100% **child** resistant rating. CRR is recognized as the premiere global testing facility for child safety products and works closely with the CPSC, EPA and other Governmental agencies.
- Health Canada has recognized the MedTainer as a compliant solution for cannabis packaging



Health
Canada

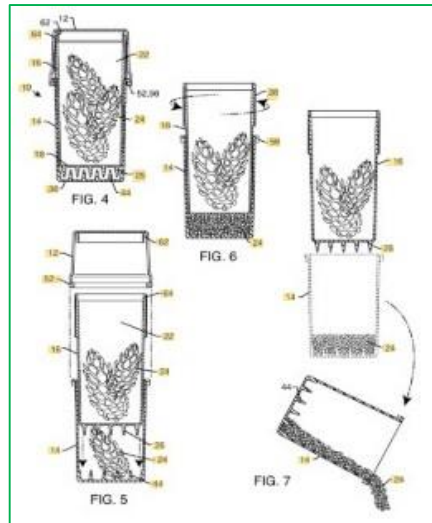
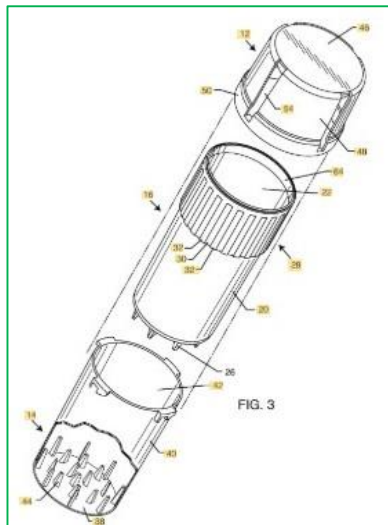
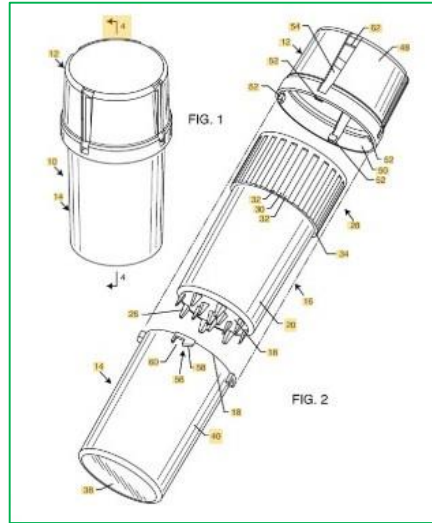
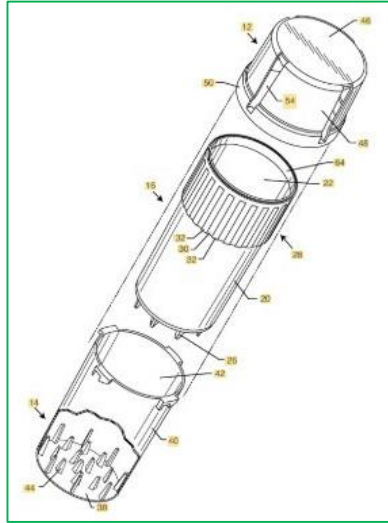
Intellectual Property



The patents and patent applications are:

1. United States Patent US 8,695,906 B2, granted April 15, 2014, relating to a Combination Herb Storage, Grinder and Pouring Container
 2. United State Design Patent US D689,347 S, granted September 10, 2013, relating to a Combination Herb Storage, Grinder and Pouring Container
 3. The Canadian patent number registered by the Canadian Patent Office, Application #2,853,094 under the title ‘MedTainer’ relating to a Combination Herb Storage, Grinder and Pouring Container and was granted Patent #PCT/US2012/061498.
 4. European Patent Application No. 12844086.4, Combination Herb Storage, Grinder and Pouring Container National Phase of PCT/US2012/061498 Int’l, filed October 23, 2012
 5. The trademark is United States Trademark Reg. No. 4,417,463, granted October 15, 2013, relating to the trademark “MedTainer.”
- A **utility patent**, also known as a “**patent** for invention,” is a **patent** that covers the creation of a new or improved—and useful—product, process, or machine. Prohibits other individuals or companies from making, using, or selling the invention without authorization.
 - A **design patent** is a form of intellectual property protection which allows an inventor to protect the original shape or surface ornamentation of a useful manufactured article.

Intellectual Property



Abstract

A combination herb storage, grinder and pouring container includes a grinding and pouring cup having grinding elements. A cap is removably attached to the grinding and pouring cup. An herb storage receptacle is nested within the cup and cap. The receptacle defines an herb storage compartment having grinding elements extending therefrom so as to be disposed adjacent to the grinding elements of the cup, so as to selectively grind herbs placed between the storage receptacle and the cup. Preferably, the cup and cap are removably locked to one another, and an airtight and watertight seal formed between the cap, cup and storage receptacle. [Read More Online](#)

Projections



Medtainer, Inc Revenue	2019	2020	2021	2022	2023	2024	2019 -2024
Medtainer Patented Medical Grade Container	\$2,000,000	\$4,000,000	\$ 6,000,000	\$ 8,000,000	\$10,000,000	\$12,000,000	\$ 42,000,000
Packaging Products	\$ 100,000	\$ 500,000	\$ 1,000,000	\$ 1,500,000	\$ 2,000,000	\$ 2,500,000	\$ 7,600,000
Humidity Packs	\$ 100,000	\$ 500,000	\$ 1,000,000	\$ 1,500,000	\$ 2,000,000	\$ 2,500,000	\$ 7,600,000
Products - Toker Pokers, Lighters	\$ 25,000	\$ 100,000	\$ 500,000	\$ 750,000	\$ 1,000,000	\$ 1,250,000	\$ 3,625,000
Services - Promotional Branding	\$ -	\$ 100,000	\$ 500,000	\$ 750,000	\$ 1,000,000	\$ 1,250,000	\$ 3,600,000
Services - Printing	\$ -	\$ 100,000	\$ 500,000	\$ 750,000	\$ 1,000,000	\$ 1,250,000	\$ 3,600,000
Services - Sales & Distribution	\$ -	\$ 500,000	\$ 1,000,000	\$ 1,500,000	\$ 2,000,000	\$ 2,500,000	\$ 7,500,000
Services - Fulfillment	\$ -	\$ 500,000	\$ 1,000,000	\$ 1,500,000	\$ 2,000,000	\$ 2,500,000	\$ 7,500,000
Services - Branding	\$ -	\$ 100,000	\$ 500,000	\$ 750,000	\$ 1,000,000	\$ 1,250,000	\$ 3,600,000
Services - Channel Marketing	\$ -	\$ 100,000	\$ 500,000	\$ 750,000	\$ 1,000,000	\$ 1,250,000	\$ 3,600,000
Services - Lead Generation	\$ -	\$ 100,000	\$ 500,000	\$ 750,000	\$ 1,000,000	\$ 1,250,000	\$ 3,600,000
Services - Medical Device Development	\$ -	\$ 100,000	\$ 500,000	\$ 750,000	\$ 1,000,000	\$ 1,250,000	\$ 3,600,000
Services - Packaging Development and Manufacturing	\$ -	\$ 100,000	\$ 500,000	\$ 750,000	\$ 1,000,000	\$ 1,250,000	\$ 3,600,000
Services - Consulting	\$ -	\$ 100,000	\$ 500,000	\$ 750,000	\$ 1,000,000	\$ 1,250,000	\$ 43,825,000
Total Revenue	\$2,225,000	\$6,900,000	\$ 14,500,000	\$20,750,000	\$27,000,000	\$33,250,000	\$ 144,850,000

Contact Information



Brad Turner
CEO, Marketing Completion Fund, Inc.



Address
Marketing Completion Fund, Inc..
171 Pier Avenue, Santa Monica, CA 90405



Contact Number
310 663-1434



Email Address
brad.turner@completionfund.com



Skype
bradj.turner



WeChat
bradleyjturner



LinkedIn
www.linkedin.com/in/bradleyturner



**MARKETING
COMPLETION
— FUND —**

www.completionfund.com